

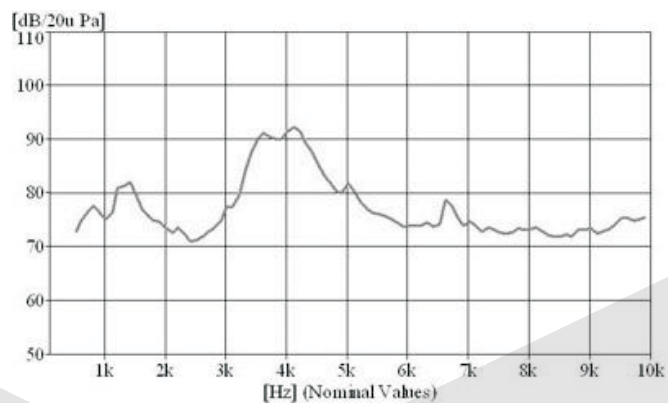
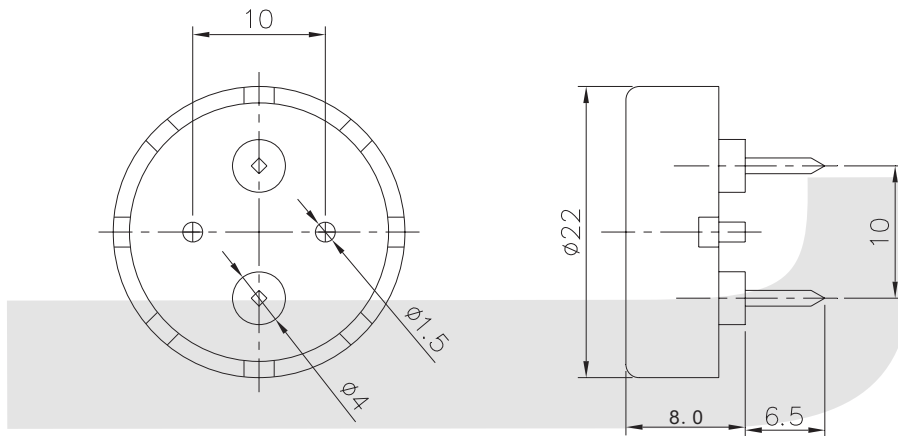
## Piezo Transducer Series

### KLS3-PT-22\*08 Without Circuit Piezo Transducer Buzzer Series

Order Code	KLS3-PT-22*08-A	KLS3-PT-22*08-B
Rated Voltage	3Vp-p	9Vp-p
Operating Voltage	1...30Vp-p	1...30Vp-p
Max. Rated Current	2mA	3mA
Resonant Frequency	4.0±0.5KHz	4.0±0.5KHz
Min.S.P.L. (@10cm)	75dB	80dB
Capacitance at 1,000Hz	14000±30% Pf	14000±30% Pf
Operating Temp	-20°C~+70°C	-20°C~+70°C
Weight	2.5g	2.5g



Dimensions (Unit:mm)



## ORDER INFORMATION

Product No.: **KLS3 - PT - 22\*08-A**

Part Number \_\_\_\_\_  
Without Circuit Piezo Transducer Buzzer Series \_\_\_\_\_  
Order Code \_\_\_\_\_