

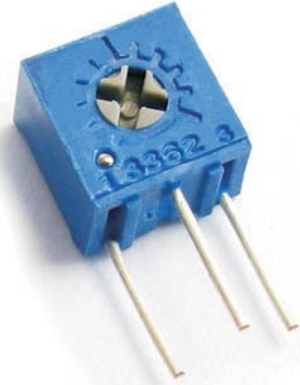
## Cermet Potentiometer Series

KLS4-3362 Cermet Potentiometer Series

IV

### Electrical Characteristics

Standard Resistance Range: 10Ω~ 2MΩ  
Resistance Tolerance:±10%  
Terminal Resistance:≤1% R or 2Ω Max.  
Contact resistance variation:CRV ≤3% R or 3Ω Max  
Insulation Resistance: $R_i \geq 1G\Omega$   
Withstand Voltage:101.3kPa 500V,8.5kPa 315V  
Electrical Travel:210°±10

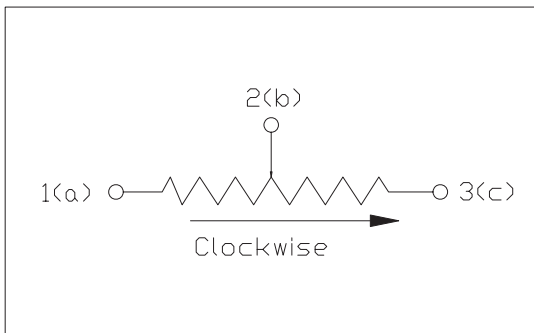


### Environment Characteristics

Power Rating (220 volts max.):+70°C 0.5W,+125°C 0W  
Temperature Range:-55°C ~ +125°C  
Temperature Coefficient:±250ppm/°C;±100ppm/°C  
Temperature Variation: $\Delta R \leq \pm 2\% R, \Delta(U_{ab} / U_{ac}) \leq \pm 1\%$   
Collision:390m/s<sup>2</sup>,4000 times  $\Delta R \leq \pm 1\% R$   
Vibration:10 ~ 2000Hz,0.75mm,,6h, $\Delta R \leq \pm 1\% R, \Delta(U_{ab} / U_{ac}) \leq 2\%$   
Climate Category: $\Delta R \leq \pm 3\% R, R_i \geq 100M\Omega$   
Electrical Endurance at 70°C: 0.5W,1000h, $\Delta R \leq \pm 10\% R$   
Mechanical Endurance:200cycles, $\Delta R \leq \pm 10\% R$   
Steady Damp-Heat: $\Delta R \leq \pm 3\% R, R_i \geq 100M\Omega$

### Physical Characteristics

Total mechanical travel:250°±10  
Starting torque:≤35mN.m  
Standard packaging:50pcs/tube



Resistance (Ω)	Code
10	100
20	200
50	500
100	101
200	201
500	501
1000	102
2000	202
10000	103
20000	203
50000	503
100000	104
200000	204
500000	504
1000000	105
2000000	205

## ORDER INFORMATION

Product NO.: KLS4-3362 W-103

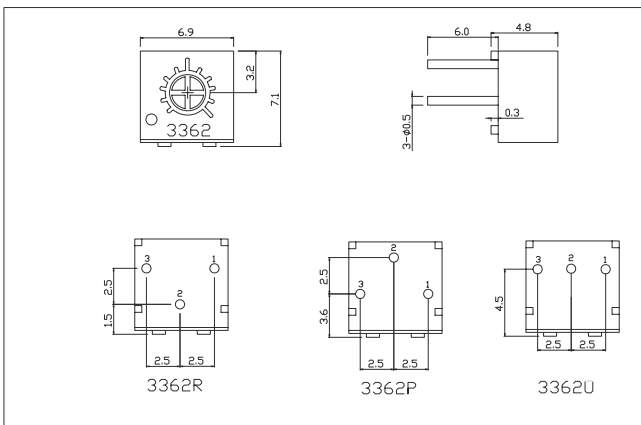
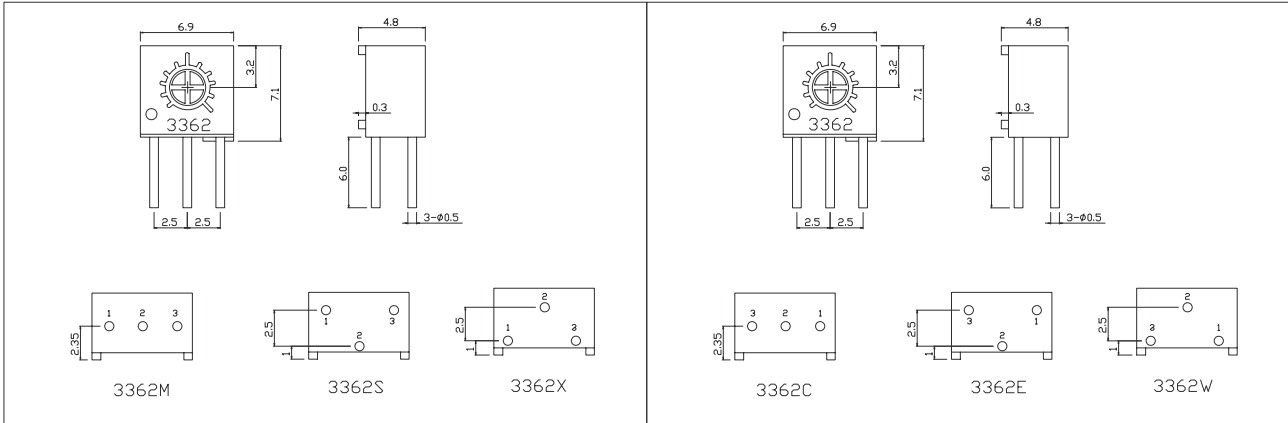
Pos. NO. \_\_\_\_\_ 103:Resistance Code  
3362:Model \_\_\_\_\_ W:Style

# Potentiometer

## Cermet Potentiometer Series

### KLS4-3362 Cermet Potentiometer Series

IV



## ORDER INFORMATION

Product NO.: KLS4-3362 W-103

Pos. NO. \_\_\_\_\_ 103:Resistance Code  
3362:Model \_\_\_\_\_ W:Style